

SANDEN SD5S

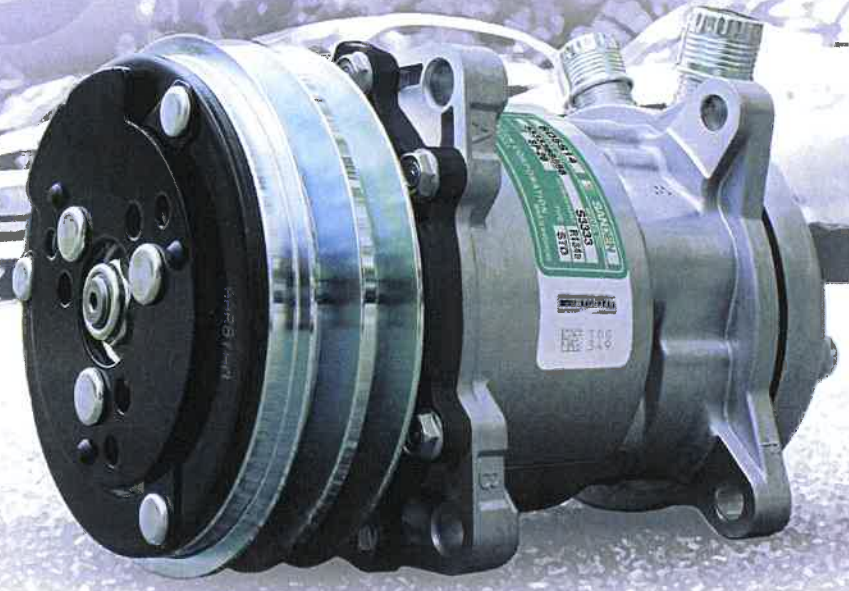
newest addition to the SD family



SANDEN

Delivering Excellence

SD5S



- Ideal for Universal Application
- Reputed Durability & Performance
- Environmental Friendly 
- Oil Amount 135cc

Sanden is proud to introduce the latest addition to the SD5 & SD7 Compressor Family, SD5S. This new compressor features lean design catered towards optimizing weight and material, with no compromise on performance or durability.

The new SD5S Compressor features environmental friendly parts, with majority of the parts made from Aluminium (recyclable), and all parts are Heavy Metal Free (HMF). Styrofoam packaging material has been replaced with paper cushion design, using environment friendly material.

With extensive research and stringent test criteria, the quality and performance are validated to ensure only quality goods are delivered. The new SD5S Compressor provides optimum level of cooling performance and unsurpassed field durability.

Paper Cushion Packaging



New Carton Box Design



New Embossed logo



New Ear Mount Design



SD5S Specification Table

SD5S11

Compressor Displacement: 108cc/rev
 Maximum Allowable R.P.M: 7000
 Maximum Continuous R.P.M: 6000

INFO SD507 equivalent. In terms of,
 • Physical Dimensions
 • Compressor Displacement

VOLTAGE	CLUTCH				CYLINDER HEAD	MOUNTING	OIL		COMPRESSOR MODEL	REMARKS
	GROOVE	DIAMETER	GAUGE LINE	TERMINAL			TYPE	CC		
DC12	A2	125	44.25	AMP-60793-1	BC	EAR	SP20	135	6320	
DC12	A2	125	44.25	CF250MEC	FL	EAR	SP20	135	6321	
DC12	A2	125	44.25	AMP-60793-1	FL	EAR	SP20	135	6333	
DC12	A2	125	44.25	CF250MEC	FG	EAR	SP20	135	6366	With Charge Valve
DC12	A2	125	44.25	AMP-60793-1	FG	EAR	SP20	135	6367	With Charge Valve
DC12	A2	125	44.25	AMP-60793-1	B	EAR	SP20	135	6368	With Charge Valve
DC12	PV6	119	46.55	AMP-60793-1	K	EAR	SP20	135	6322	
DC12	PV6	119	46.55	AMP-60793-1	FL	EAR	SP20	135	6323	
DC12	PV8	119	46.55	AMP-60793-1	FL	EAR	SP20	135	6328	
DC12	PV8	119	46.55	AMP-60793-1	K	EAR	SP20	135	6358	
DC24	A2	125	44.25	AMP-60793-1	K	EAR	SP20	135	6356	
DC24	A2	125	44.25	AMP-60793-1	FL	EAR	SP20	135	6357	
DC24	PV8	119	46.55	AMP-60793-1	FL	EAR	SP20	135	6327	

SD5S14

Compressor Displacement: 138cc/rev
 Maximum Allowable R.P.M: 7000
 Maximum Continuous R.P.M: 6000



INFO SD508 equivalent. In terms of,
 • Physical Dimensions
 • Compressor Displacement

VOLTAGE	CLUTCH				CYLINDER HEAD	MOUNTING	OIL		COMPRESSOR MODEL	REMARKS
	GROOVE	DIAMETER	GAUGE LINE	TERMINAL			TYPE	CC		
DC12	A2	132	39.55	AMP-60793-1	FG	EAR	SP20	135	5305	With Charge Valve
DC12	A2	132	39.55	AMP-60793-1	BC	EAR	SP20	135	6620	
DC12	A2	132	39.55	AMP-60793-1	FL	EAR	SP20	135	6626	
DC12	A2	132	39.55	AMP-60793-1	B	EAR	SP20	135	6692	With Charge Valve
DC12	PV7	119	46.55	AMP-60793-1	K	EAR	SP20	135	6628	
DC12	PV7	119	46.55	AMP-60793-1	FL	EAR	SP20	135	6629	
DC12	PV8	119	46.55	AMP-60793-1	FL	EAR	SP20	135	5312	
DC24	A2	132	39.55	AMP-60793-1	FG	EAR	SP20	135	5306	With Charge Valve
DC24	A2	132	39.55	AMP-60793-1	BC	EAR	SP20	135	6622	
DC24	A2	132	39.55	AMP-60793-1	FL	EAR	SP20	135	6627	
DC24	A2	132	39.55	AMP-60793-1	M	EAR	SP20	135	6632	
DC24	A2	132	39.55	AMP-60793-1	B	EAR	SP20	135	6698	With Charge Valve
DC24	B1	152	33.85	CP3.96MA	BC	EAR	SP20	135	6624	
DC24	PV8	119	46.55	AMP-60793-1	FL	EAR	SP20	135	5322	

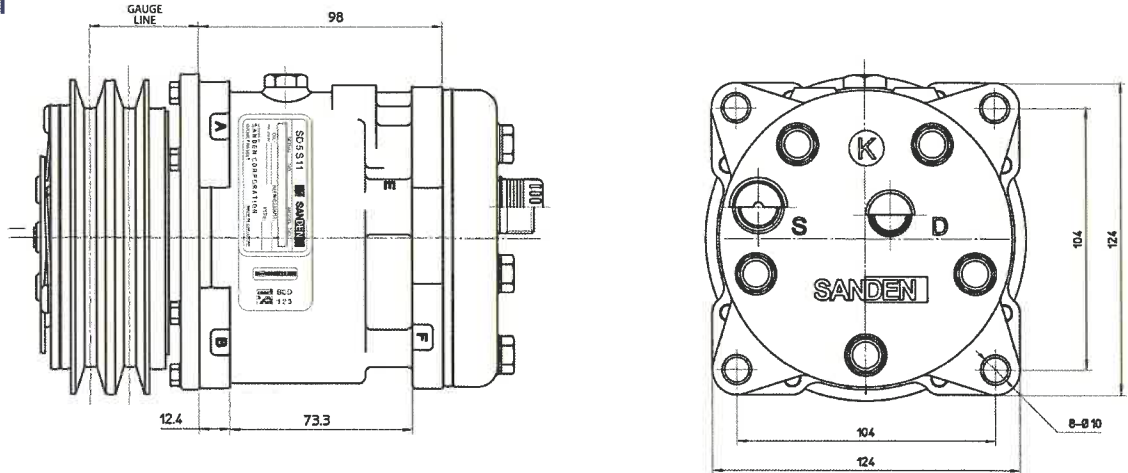
Enquiring on other models?

Should configurations differ, application or needs arise, please contact our authorised dealers, distributors or Sanden International Fronts for assistance.

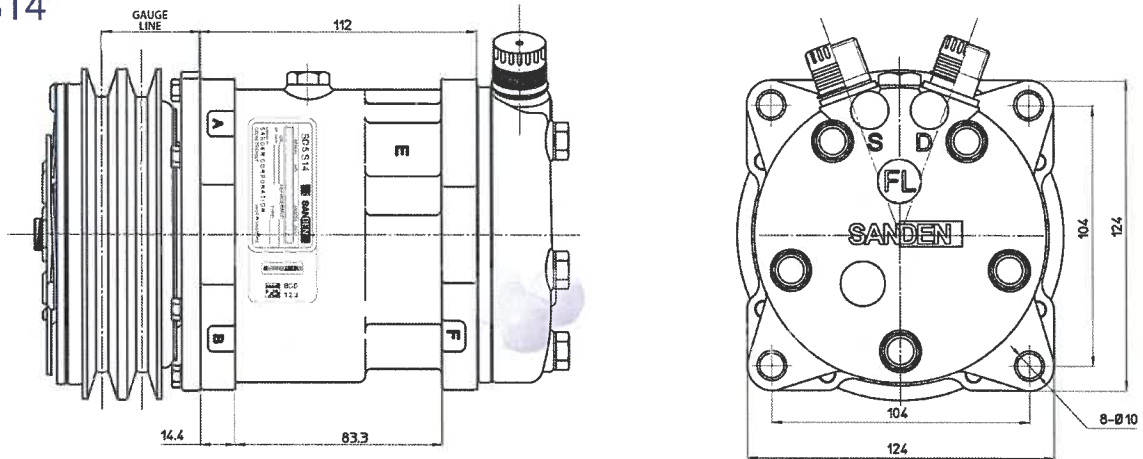
(Please refer to the back of the brochure for contact details)

SD5S Standard Drawing

SD5S11

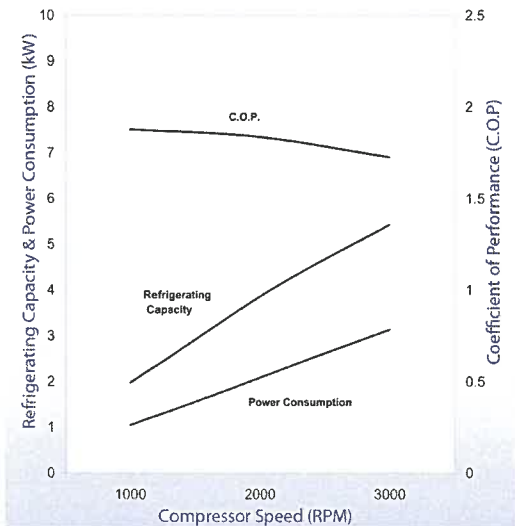


SD5S14

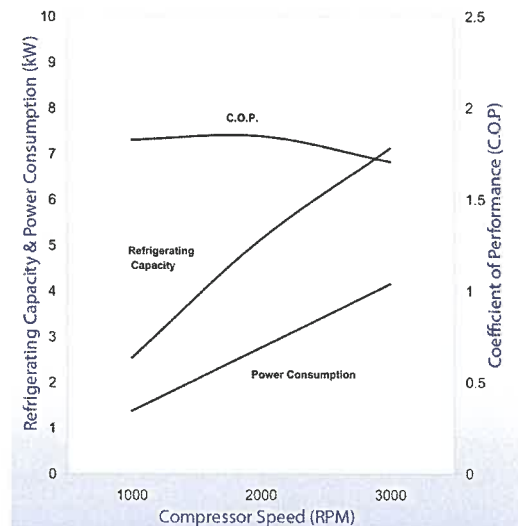


SD5S Performance Chart

SD5S11



SD5S14



TESTING CONDITIONS

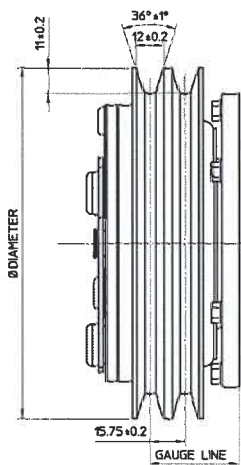
Discharge Pressure : 1.67 MPaG , Suction Pressure : 196 kPaG , Sub Cool Temp : 0 K , Super Heat Temp : 10 K

Clutch Assembly for SD5S

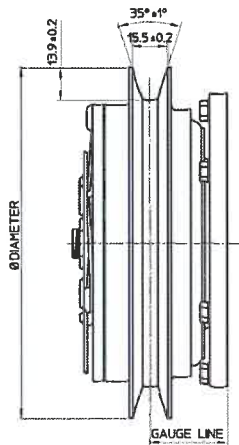


FAMILY	VOLTAGE	GROOVE	DIAMETER	GAUGE LINE	TERMINAL
SD5S11	DC12	A2	125	44.25	AMP60793-1
	DC12	A2	132	44.25	AMP60793-1
	DC12	PV4	120	58.2	AMP60793-1
	DC12	PV5	120	58.2	AMP60793-1
	DC12	PV6	119	46.55	AMP60793-1
	DC12	PV8	119	46.55	AMP60793-1
	DC24	A2	125	44.25	AMP60793-1
	DC24	PV6	119	45	AMP60793-1
SD5S14	DC12	A2	132	39.55	AMP60793-1
	DC12	B1	152	33.85	AMP60793-1
	DC12	PV10	125	50.79	AMP60793-1
	DC12	PV4	119	46.55	AMP60793-1
	DC12	PV6	119	46.55	AMP60793-1
	DC12	PV7	119	46.55	AMP60793-1
	DC12	PV8	119	46.55	AMP60793-1
	DC24	A2	132	39.55	AMP60793-1
	DC24	B1	146	33.85	AMP60793-1
	DC24	B1	152	33.85	CP3.96MA
	DC24	PV10	125	50.79	AMP60793-1
	DC24	PV7	119	46.55	AMP60793-1
	DC24	PV8	119	46.55	AMP60793-1

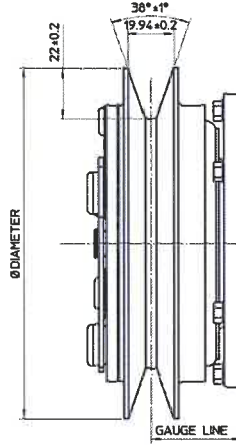
Clutch Assembly Drawings



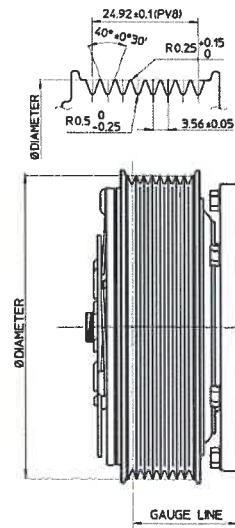
'A' GROOVE



'B' GROOVE



'C' GROOVE



'PV' GROOVE

Cylinder Head for SD5S



FITTINGS				BOLT LENGTH	STAMP	OTHERS
ORIENTATION	TYPE	SUCTION	DISCHARGE			
VERTICAL	FLARE	7/8-14UNF	3/4-16UNF	48	B	CV Option
VERTICAL	FLARE	7/8-14UNF	3/4-16UNF	48	BC	-
VERTICAL	PAD (U) TYPE	M10XP1.25 (1)		48	UB	-
VERTICAL	PAD (U) TYPE	M10XP1.25 (1)		65	RD	-
VERTICAL	PAD (UG) TYPE	M8XP1.25 (2)		40	ZC	-
VERTICAL	ROTA-LOCK	1-14UNS	1-14UNS	40	C	-
VERTICAL	TUBE-O-RING	7/8-14UNF	3/4-16UNF	48	FG	CV Option
VERTICAL	TUBE-O-RING	7/8-14UNF	3/4-16UNF	48	FL	-
HORIZONTAL	PAD (Q) TYPE	M10XP1.25 (1)		40	SW	Flex Adaptor Option
HORIZONTAL	ROTA-LOCK	1-14UNS	1-14UNS	40	M	-
HORIZONTAL	TUBE-O-RING	7/8-14UNF	3/4-16UNF	40	K	-
HORIZONTAL	TUBE-O-RING	7/8-14UNF	3/4-16UNF	65	KB	-

For more details on the Sanden Cylinder Head, please refer to the SANDEN SD COMPRESSOR PRODUCT CATALOGUE

Genuine SD Compressor Verification

Apart from the New Compressor Label on our SD5H & SD5S family, Sanden has developed a "Product Authentication" web service to enable the public to confirm the authenticity of SD5 & SD7 compressors, manufactured by Sanden Singapore.

WEBSITE AUTHENTICATION

- * Log in to www.sanden.com.sg
- * Information required
 - Serial No. • Model No. • Barcode No.



Step 1. Click on the "Genuine Sanden" Logo or "read more" under Sanden Product Authentication.



Step 2. Fill in the details required.



Step 3. Upon submission, the system will validate and notify whether your compressor is genuine or not. An email will be sent to your mailbox for your reference.

SD5S14 Lip Seal Removal Procedure

1. Remove the Clutch Assembly according to Repair Procedures found in the Sanden SD-5 Service Manual, under Clutch Service.

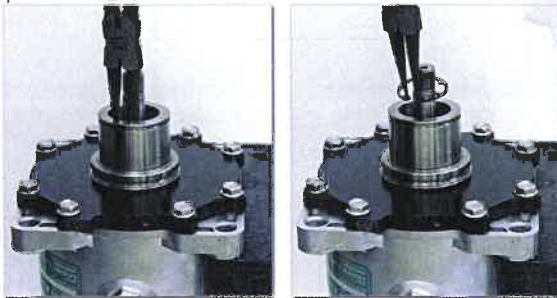
2. Remove the shaft key by lightly tapping it loose with a flat-head screwdriver and hammer.



3. Pull out the shim using shim removal tool.



4. Remove the seal snap ring using internal snap ring pliers.

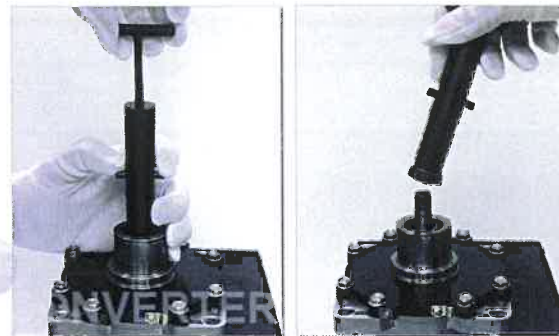


5. Remove the lip seal using the lip seal removal tool, as follows:

5.1 Place the tool over the shaft and, while pulling the lockpin up, press the tip of the tool into the seal by pushing downward on the handle.



5.2 Push the lockpin down to the bottom of its slot and rotate the handle clockwise until the seal is pushed loose from its seat and can be pulled out.



SD5S Compressor Service Tools



1. Armature Remover
2. Filler Gauge Set
3. Snap Ring & Lip Seal Installer

4. Lip Seal Extractor
(For SD5S14 only)
5. Rotor Remover
6. Front Plate Holders

7. Shaft Seal Protector
8. Armature Press-Fit Jig
9. Rotor Press-Fit Jig

10. Scraper
11. Internal Flat Ring Pliers
12. External Flat Ring Pliers

13. Pliers
14. 0-230kg-cm torque wrench
15. 0-460kg-cm torque wrench

16. Cross Screwdriver
17. Ratchet Wrench
18. Shim Removal Tool

SANDEN HEAD OFFICE

Sanden Corporation
1-31-7, Taito, Taito-ku, Tokyo, Japan 110-8555
Tel: +81-33-833-1211 Fax: +81-33-822-7096
<http://www.sanden.co.jp>

Major International Offices

Sanden International (Singapore) Pte. Ltd.

Sanden House, 25, Ang Mo Kio Street 65,
Singapore 569062

Tel: +65-63113-113

Fax: +65-64825-039

<http://www.sanden.com.sg>

Sanden International (U.S.A.) Inc.

601 South Sanden Boulevard,
Wylie, Texas 75098-4999, U.S.A.

Tel: +1-972-442-8400

Fax: +1-972-442-8700

<http://www.sanden.com>

Sanden of Europe GmbH

Am Taubenbaum 35-37,
61231 Bad Nauheim, Germany

Tel: +49-6032-80300

Fax: +49-6032-8030200

<http://www.sanden-europe.com>

Sanden International (Australia) Pty. Ltd.

Unit6/17 Willfox Street, Condell Park,
N.S.W. 2200, Australia

Tel: +61-2-9791-0999

Fax: +61-2-9791-9029

Sanden Authorised Dealer



SANDEN

Delivering Excellence